

# BeoLab 90

**BANG & OLUFSEN**



## Important safety instructions

**WARNING:** To reduce the risk of fire or electric shock, do not expose this appliance to rain or moisture.

The product can only be switched off completely by disconnecting it from the mains sockets. The mains sockets must always be accessible.



The lightning flash with arrowhead symbol within an equilateral triangle, is intended to alert the user to the presence of uninsulated "dangerous voltage" within the product's enclosure that may be of sufficient magnitude to constitute a risk of electric shock to persons.



The exclamation point within an equilateral triangle is intended to alert the user to the presence of important operating and maintenance (servicing) instructions in the literature accompanying the product.

### *For the Chinese market only!*



仅适用于海拔 2000m 以下地区安全使用。



仅适用于非热带气候条件下安全使用。  
如果在热带地区使用，房间内必须有空调。

### **Cautions**

- No naked flame sources, such as lighted candles should be placed on the product.
- Follow instructions to ensure correct and safe installation and interconnection of equipment in multimedia systems.
- Make sure the cable connection between the product and the router does not exit the building to avoid contact with high voltage.

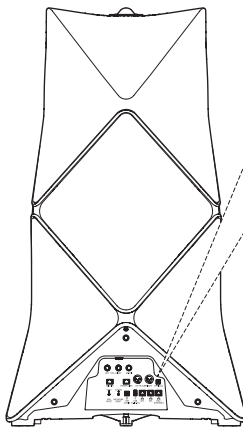
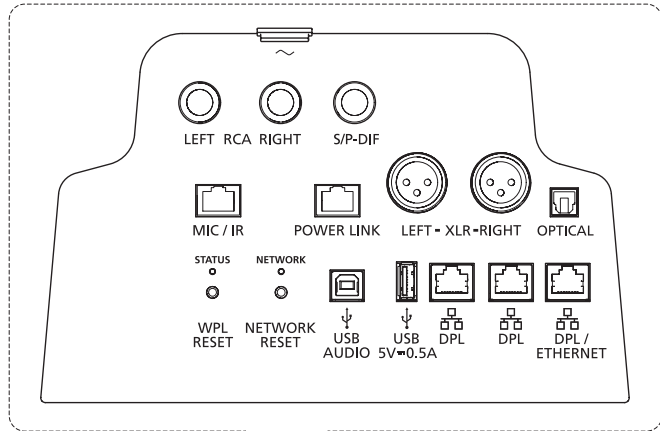
- 1) Read these instructions.
- 2) Keep these instructions.
- 3) Heed all warnings.
- 4) Follow all instructions.
- 5) Do not use this apparatus near water.
- 6) Clean only with dry cloth.
- 7) Do not block any ventilation openings. Install in accordance with the manufacturer's instructions.
- 8) Do not install near any heat sources such as radiators, heat registers, stoves, or other apparatus (including amplifiers) that produce heat.
- 9) Do not defeat the safety purpose of the polarized or grounding-type plug. A polarized plug has two blades with one wider than the other. A grounding type plug has two blades and a third grounding prong. The wide blade or the third prong are provided for your safety. If the provided plug does not fit into your outlet, consult an electrician for replacement of the obsolete outlet.
- 10) Protect the power cord from being walked on or pinched particularly at plugs, convenience receptacles, and the point where they exit from the apparatus.
- 11) Only use attachments/accessories specified by the manufacturer.
- 12) Unplug this apparatus during lightning storms or when unused for long periods of time.
- 13) Refer all servicing to qualified service personnel. Servicing is required when the apparatus has been damaged in any way, such as power-supply cord or plug is damaged, liquid has been spilled or objects have fallen into the apparatus, the apparatus has been exposed to rain or moisture, does not operate normally, or has been dropped.



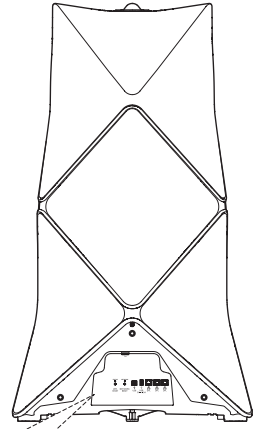
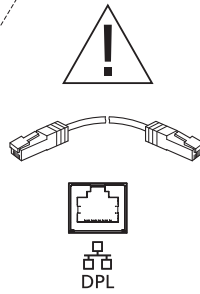
The WiSA logo is a trademark or registered trademark of WiSA, LLC in the United States and other countries.

Technical specifications, features and the use thereof are subject to change without notice.

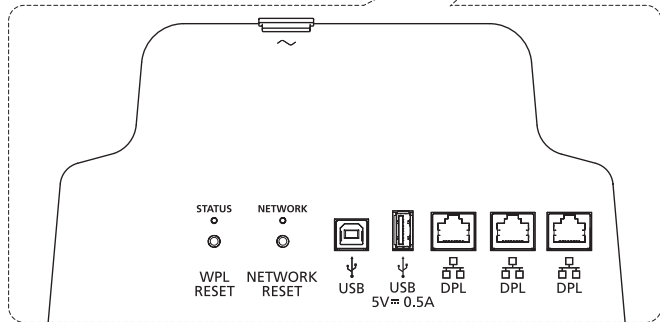
# BeoLab 90

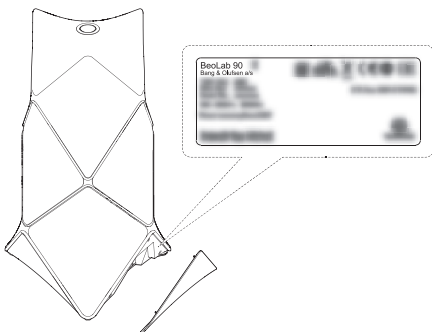
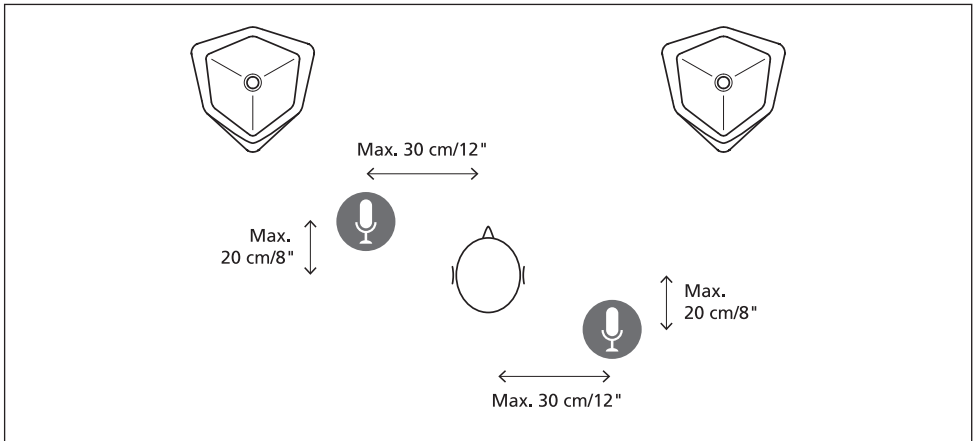
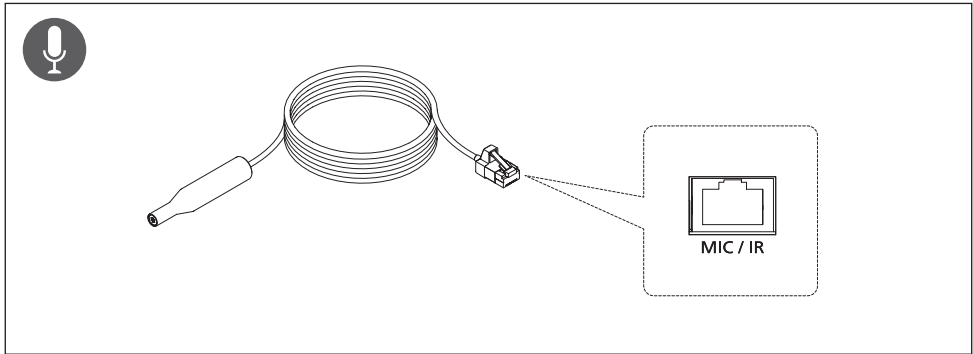


Master speaker



Slave speaker





Bang & Olufsen app



## Important information



### English

Electrical and electronic equipment, parts and batteries marked with this symbol must not be disposed of with normal household wastage, it must be collected and disposed of separately to protect the environment.

Your Bang & Olufsen retailer will advise you of the correct way of disposal in your country.

### Dansk (*Danish*)

Elektrisk og elektronisk udstyr, reservedele og batterier, der er mærket med dette symbol, må ikke bortskaffes sammen med almindeligt husholdningsaffald. Det skal indsamles og bortskaffes separat for at beskytte miljøet.

Din Bang & Olufsen forhandler kan rådgive dig om den korrekte bortskaffelsesmetode i dit land.

### Deutsch (*German*)

Mit diesem Symbol gekennzeichnete elektrische und elektronische Geräte, Bauteile und Batterien dürfen nicht in den normalen Haushaltsmüll gegeben, sondern müssen zum Schutz der Umwelt sämtlich getrennt eingesammelt und entsorgt werden.

Ihr Bang & Olufsen Fachhändler berät Sie bei der sachgerechten Entsorgung in Ihrem Land.

### Español (*Spanish*)

Los equipos, piezas y baterías de tipo eléctrico y electrónico marcados con este símbolo no deben eliminarse junto con los residuos domésticos habituales; en su lugar, deben ser recogidos y eliminados de forma independiente para proteger el medioambiente.

Su distribuidor de Bang & Olufsen le asesorará acerca de los pasos a seguir en su país para realizar la eliminación de forma correcta.

### Français (*French*)

Il n'est pas permis de jeter les équipements, les pièces électriques et électroniques et les batteries portant ce symbole avec les ordures ménagères ; ces équipements doivent être collectés et mis au rebut séparément afin de préserver l'environnement.

Votre revendeur Bang & Olufsen se fera un plaisir de vous conseiller sur la procédure correcte de mise au rebut dans votre pays.

### Italiano (*Italian*)

Apparecchiature elettriche ed elettroniche, parti e batterie, contrassegnate con questo simbolo non devono essere smaltite con i normali rifiuti domestici, ma devono essere raccolte e smaltite separatamente per proteggere l'ambiente.

Per informazioni sulla procedura di smaltimento corretta per il proprio Paese, rivolgersi a un rivenditore Bang & Olufsen.

## 电子信息产品污染控制管理方法



部件名称:	有毒有害物或元素					
	铅 Pb	汞 HG	镉 Cd	六价铬 Cr(VI)	多溴联苯 PBB	多溴二苯醚 PBDE
印刷电路板组件	×	○	○	○	○	○
铝制部件	×	○	○	○	○	○
扬声器	×	○	○	○	○	○
机柜	×	○	○	○	○	○

## 图表符号:

- 表示有毒有害物在部件所有材料中的含量均在 ST/T 11363-2006 MCV 准定的限量要求以下。  
 × 表示有毒有害物至少在部件的某一材料中的含量超出 SJ/T 11363-2006 MCV 准定的限量要求。

功率 (V / Hz):	100-240 V / 50-60 Hz
耗电功率:	一般: 165瓦 / 待机: 1.0瓦
尺寸:	128 x 74.7 x 73.5公分 / 137公斤
颜色:	櫃子: 黑
LAN	10/100 Mbps
無線技術:	主喇叭 IEEE-802.11b,g,n 2400-2483 MHz  WiSA 5250-5850 MHz  副喇叭 WiSA 5250-5850 MHz



351141417070000

